

## Table of Content

### PRESSURE CONTROLS

REMOTE CONTROL RELIEF VALVE .....	1-1
DIRECT TYPE RELIEF VALVE .....	1-3
SUBPLATE .....	1-6
PILOT OPERATED RELIEF VALVE.....	1-7
SUBPLATE .....	1-11
LOW NOISE TYPE PILOT OPERATED RELIEF VALVE.....	1-13
SOLENOID CONTROLLED RELIEF VALVE .....	1-16
LOW NOISE TYPE SOLENOID CONTROLLED RELIEF VALVE .....	1-22
H & HC TYPE PRESSURE CONTROL VALVE.....	1-24
SUBPLATE .....	1-30
PRESSURE REDUCING VALVE.....	1-32

### FLOW CONTROLS

RESTRICTORS.....	1-38
SUBPLATE .....	1-45
SOLENOID OPERATED FLOW CONTROL VALVE.....	1-46
SUBPLATE .....	1-55
LIFT VALVE .....	1-56

### DIRECTIONAL CONTROLS

MANUALLY OPERATED DIRECTIONAL VALVES .....	1-58
CAM OPERATED DIRECTIONAL VALVES .....	1-63
PILOT CONTROLLED CHECK VALVES.....	1-66
IN-LINE CHECK VALVES.....	1-72
RIGHT ANGLE CHECK VALVES.....	1-75
SUBPLATE .....	1-79

### ACCESSORIES & OTHERS

PISTON TYPE PRESSURE SWITCH.....	1-80
CARTRIDGE PRESSURE RELIEF.....	1-82
OIL HEAT EXCHANGER.....	1-84
SUCTION STRAINERS .....	1-85
RESERVOIR LEVEL INDICATOR .....	1-86
GAUGE COCK .....	1-87
PRESSURE GAGE .....	1-88
FILTRATION CARTS.....	1-90

Table of Content

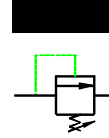
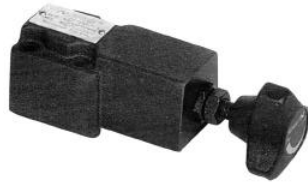
PRESSURE CONTROLS MRF – 02 SERIES.....	2-1
PRESSURE CONTROLS MPR – 02 SERIES .....	2-5
FLOW CONTROLS MT – 02 SERIES.....	2-8
DIRECTIONAL CONTROLS MC – 02 SERIES .....	2-14
DIRECTIONAL CONTROLS MPC – 02 SERIES.....	2-18
DIRECTIONAL CONTROLS MSC – 02 SERIES.....	2-21
PRESSURE CONTROLS MRF – 03 SERIES.....	2-23
PRESSURE CONTROLS MPR – 03 SERIES .....	2-27
FLOW CONTROLS MT – 03 SERIES.....	2-30
DIRECTIONAL CONTROLS MC – 03 SERIES .....	2-36
DIRECTIONAL CONTROLS MPC – 03 SERIES.....	2-39
DIRECTIONAL CONTROLS MSC – 03 SERIES.....	2-42
OTHERS M02/03 SERIES .....	2-44
OTHERS MBK SERIES .....	2-48
OTHERS MEP SERIES.....	2-49

## Table of Content

SPOOL TYPE .....	3*1
SWH – G02 .....	3.1
SWH – G02 – M .....	3.9
M02 .....	3.13
SWH – G03 .....	3.15
SWH – G03 – M .....	3.25
M03 .....	3.29
SW – G04 .....	3.31
M04 .....	3.39
SW – G06 .....	3.41
M06 .....	3.49



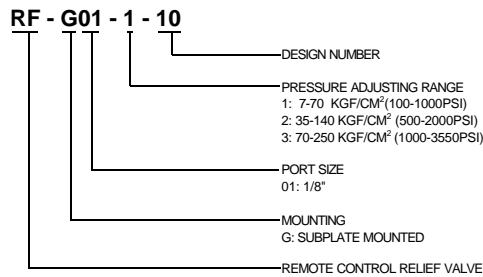
**PRESSURE CONTROLS**  
REMOTE CONTROL RELIEF VALVE



**SPECIFICATIONS**

MODEL	MAX. PRESSURE KGF/CM <sup>2</sup> (PSI)	PRESSURE ADJ. RANGE KGF/CM <sup>2</sup> (PSI)	RATE FLOW LPM(GPM)	MOUNTED BOLT METER(INCH)
RF-G01	250(3550)	1:7-70(100-1000)	2(0.5)	M5x40L 4 PCS
		2:35-140(500-2000)		#10-24UNC-1 1/2"
		3:70-250(1000-3550)		4 PCS

**HOW TO ORDER**



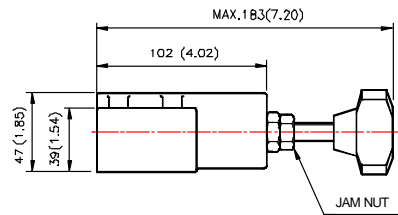
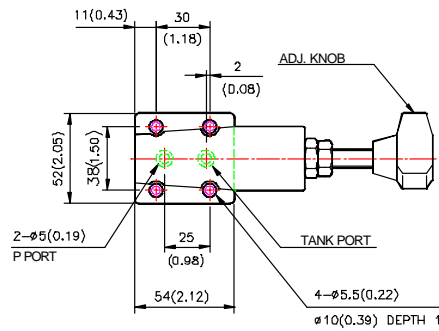


**PRESSURE CONTROLS**  
REMOTE CONTROL RELIEF VALVE

**INSTALLATION DIMENSIONS**

UNIT mm(inch)  
WEIGHT 1.5kgs(3.4lbs)

RF-G01

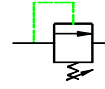




**PRESSURE CONTROLS**  
DIRECT TYPE RELIEF VALVE



**SYMBOL**

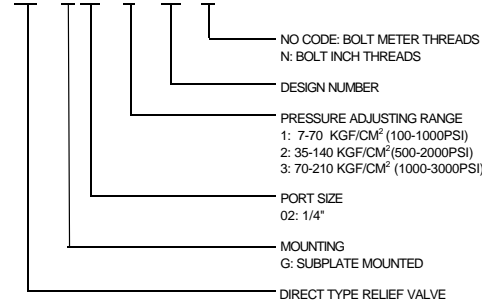


**SPECIFICATIONS**

MODEL	MAX. PRESSURE KGF/CM <sup>2</sup> (PSI)	PRESSURE ADJ. RANGE	RATE FLOW LPM(GPM)	BOLT METER(INCH)
		KGF/CM <sup>2</sup> (PSI)		
RF-G02	210(3000)	1: 7-70(100-1000)	16(4.2)	M5x40L 4 PCS  (#10-24UNC-1 1/2")
		2: 35-140(500-2000)		
		3: 70-210(1000-3000)		

**HOW TO ORDER**

**RF - G02 - 1 - 10 - N**



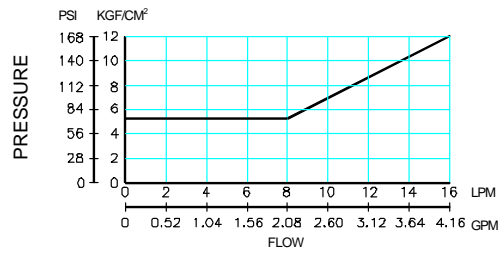


**PRESSURE CONTROLS**  
DIRECT TYPE RELIEF VALVE

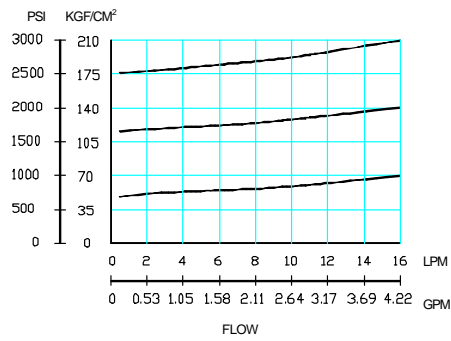
**PERFORMANCE CURVES**

TEST FLUID VISCOSITY : 35 cSt (175 SSU)  
TEST TEMPERATURE : 50°C (122°F)

**Min. Adj. PRESSURE**



**NOMINAL OVERRIDE**



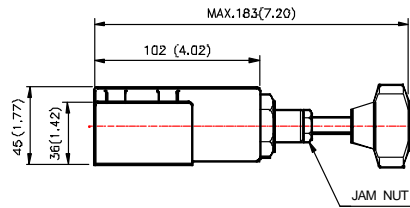
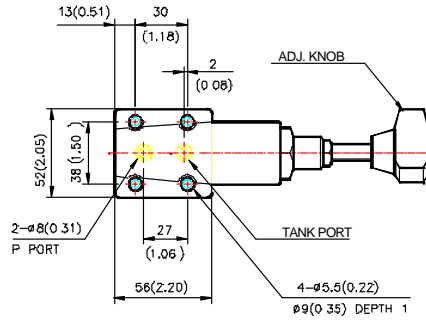


**PRESSURE CONTROLS**  
DIRECT TYPE RELIEF VALVE

**INSTALLATION DIMENSIONS**

UNIT mm(inch)  
WEIGHT 1.5kgs(3.4lbs)

RF-G02

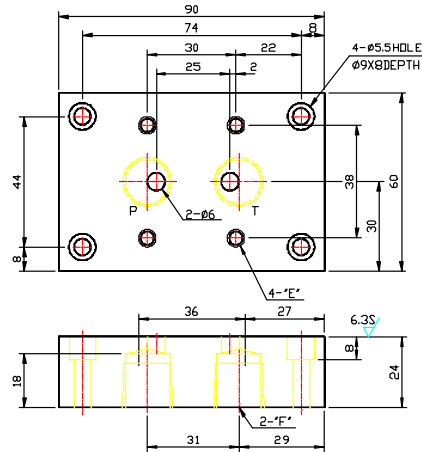






SUBPLATE

UNIT mm(inch)



SUBPLATE FOR RF-G01 & RF-G02 SERIES

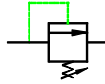
MODEL	PARTS No.	E	F
MF-02-02	61002259	M5x08Px12L	1/4PT
MF-02-02-N	61002260	#10-24UNCx12L	1/4NPT
MF-02-03	61002261	M5x08PX12L	3/8PT
MF-02-03-N	61002262	#10-24UNCx12L	3/8NPT



**PRESSURE CONTROLS**  
PILOT OPERATED RELIEF VALVE



**SYMBOL**



**FEATURES**

- RF series relief valve is designed on the theory of differential pressure created by flow across the orifice of the balance piston. This differential pressure acts to open the piston against the spring, permitting enough fluid vented to tank at the set pressure.
- Piston moves smoothly, and controlled by pilot pressure, provides stable pressure control and good repeatability.
- Special internal passage design keeps flow noise to minimum.

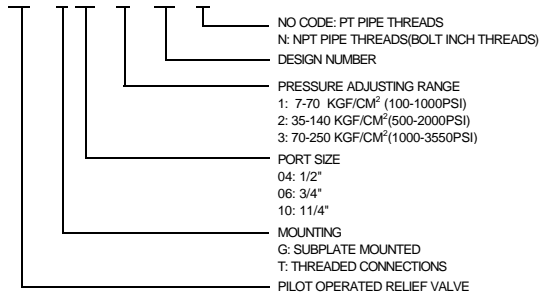
Remarks: NPT ports for RF-T series can be made by special order

**SPECIFICATIONS**

MODEL	MAX. PRESSURE KGF/CM <sup>2</sup> (PSI)	PRESSURE ADJ. RANGE KGF/CM <sup>2</sup> (PSI)	MAX. FLOW LPM(GPM)	MOUNTED BOLD(FOR G TYPE) METER(INCH)
RF-04	250 (3550)	1:7-70(100-1000)	100 (26.4)	M12x70L(1/2"-2 3/4")2PCS M12x90L(1/2"-3 1/2") 2PCS
RF-06		2:35-140(500-1000)	200 (52.8)	M16x60L(5/8"-2 1/4") 2PCS M16x80L(5/8"-3 1/4") 2PCS
RF-10		3:70-250(1000-3550)	400 (105.6)	M20x70L(3/4"-2 3/4") 2PCS M20x90L(3/4"-3 1/2") 2PCS

**HOW TO ORDER**

**RF - G06 - 3 - 30 - N**



ABINA S.L



**PRESSURE CONTROLS**  
PILOT OPERATED RELIEF VAVLE

---

1-8

Pol Ind Les Comes C/Alemania, 43 Nave 1  
08700 Igualada (Barcelona)  
Telf 93 805 24 34 Fax 93 805 25 44  
[www.abina.com](http://www.abina.com)  
email: [info@abina.com](mailto:info@abina.com)

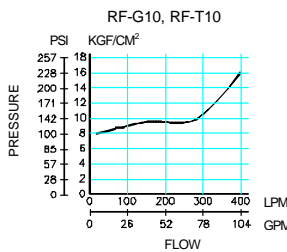
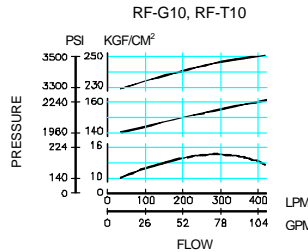
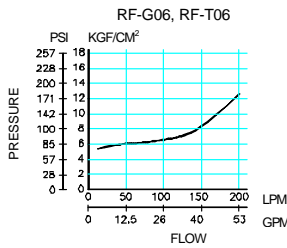
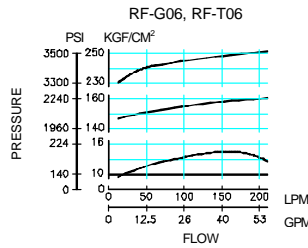
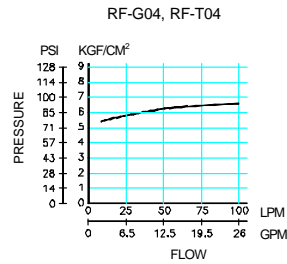
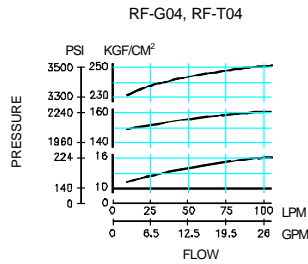


**PERFORMANCE CURVE**

TEST FLUID VISCOSITY 35 cSt (175 SSU)  
TEST TEMPERATURE 50° C (122° F)

**NOMINAL OVERRIDE**

**Min. Adj. PRESSURE**





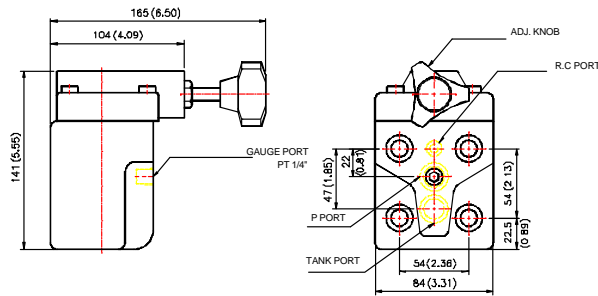
**PRESSURE CONTROLS**  
PILOT OPERATED RELIEF VALVE

**INSTALLATION DIMENSIONS**

UNIT mm(inch)

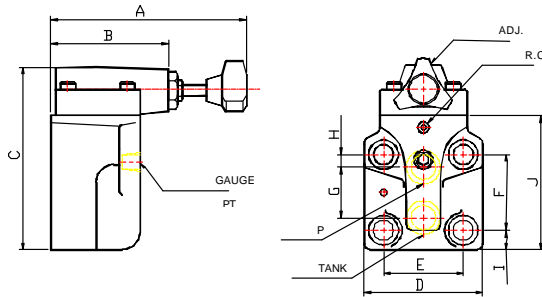
RF-G04

RF-G04 : ISO 6264-AR-06-2-A  
WEIGHT 5.5kgs(12.1lbs)



RF-G06/10

06 : ISO 6264-AS-08-2-A  
10 : ISO 6264-AT-10-2-A



MODEL	A	B	C	D	E	F	G	H	I	J	WEIGHT	
											KGS	LBS
RF-G06	175 (6.89)	104 (4.09)	160 (6.30)	104 (4.09)	70 (2.76)	66.6 (2.62)	44.1 (1.74)	11.1 (1.74)	19.5 (.076)	122 (4.80)	6.7	14.7
RF-G10	184 (7.24)	120 (4.72)	195 (7.68)	125 (4.92)	82 (3.23)	88.9 (3.50)	63.6 (2.50)	12.7 (0.50)	18.5 (0.73)	150 (5.91)	10.1	22.1

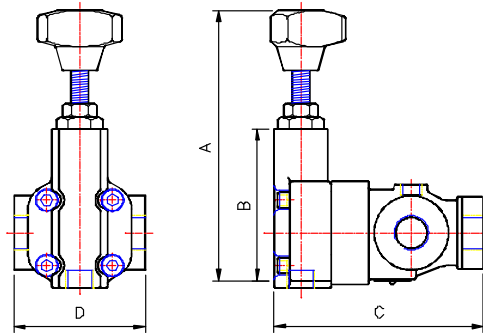
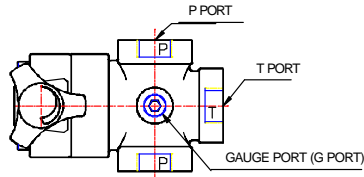


**PRESSURE CONTROLS**  
PILOT OPERATED RELIEF VALVE

**INSTALLATION DIMENSIONS**

UNIT mm(inch)

RF-T0\*



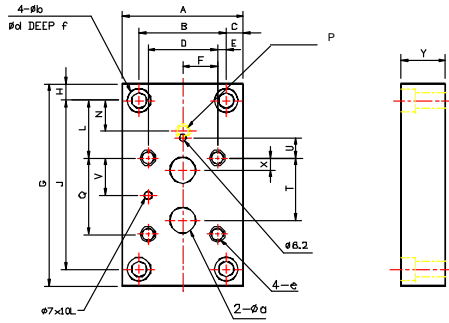
MODEL	A	B	C	D	P PORT	T PORT	G PORT	WEIGHT	
								KGS	LBS
<b>RF-T04 SERIES</b>	MAX. 142 (5.59)	92 (2.02)	111 (4.37)	84.5 (3.33)	PT 1/2"	PT 1/2"	PT 1/4"	3.4	7.5
<b>RF-T06 SERIES</b>	MAX. 148 (5.83)	102 (4.02)	140 (5.51)	103 (4.05)	PT 3/4"	PT 3/4"	PT 1/4"	5.3	11.7
<b>RF-T10 SERIES</b>	151 MAX. (5.94)	120 (4.72)	183 (7.20)	120 (4.72)	PT 1 1/4"	PT 1 1/4"	PT 1 1/4"	8.5	18.7



**INSTALLATION DIMENSIONS**

UNIT mm(inch)

MF-\*\*



MODEL	A	B	C	D	E	F	G	H
MF-04	86 (3.39)	60 (2.36)	13 (0.51)	53.8 (2.12)	3.1 (0.12)	26.9 (1.06)	149 (5.87)	13 (0.51)
MF-06	108 (4.25)	78 (3.07)	15 (0.59)	70 (2.76)	4 (0.16)	35 (1.38)	180 (7.09)	15 (0.59)
MF-10	126 (4.96)	94 (3.70)	16 (0.63)	82.6 (3.25)	5.7 (0.22)	41.3 (1.63)	227 (8.94)	16 (0.63)

MODEL	J	L	N	Q	T	U	V	X
MF-04	123 (4.84)	32 (1.26)	26 (1.02)	53.8 (2.12)	47.5 (1.87)	0 (0.00)	22.1 (0.87)	22.1 (0.87)
MF-06	150 (5.91)	51 (2.01)	27.2 (1.07)	66.7 (2.63)	55.6 (2.19)	23.8 (0.94)	33.4 (1.31)	11.1 (0.43)
MF-10	195 (7.68)	62 (2.44)	30.2 (1.19)	88.9 (3.5)	76.2 (3.00)	31.8 (1.25)	44.5 (5.44)	12.7 (0.50)

MODEL	Y	a	b	d	e	f
MF-04	32 (1.26)	14.5 (0.57)	11 (0.43)	17.5 (0.69)	M12x20L 1/2-13UNCx20L	12 (0.47)
MF-06	40 (1.57)	23 (0.91)	13.5 (0.53)	21 (0.83)	M16x25L 5/8-11UNCx25L	12 (0.47)
MF-10	50 (1.97)	28 (1.10)	17.5 (0.69)	26 (1.02)	M20x28L 3/4-10UNCx28L	17 (0.67)

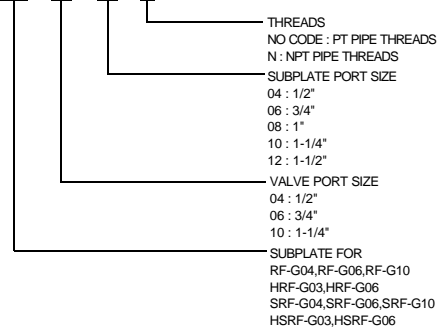


**PRESSURE CONTROLS**

LOW NOISE TYPE PILOT OPERATED RELIEF VALVE

**HOW TO ORDER**

**MF - 04 - 04 - N**





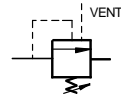


**PRESSURE CONTROLS**

LOW NOISE TYPE PILOT OPERATED RELIEF VALVE



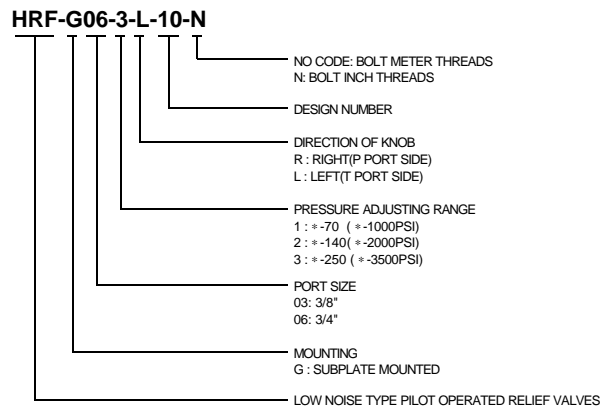
**SYMBOL**



**SPECIFICATIONS**

MODEL	MAX. PRESSURE KGF/CM <sup>2</sup>	MAX. FLOW LPM (GPM)	BOLT METER(INCH)
HRF-G03-#-10	250	100 ( 25 )	M12x40Lx4(1/2x1 3/5")
HRF-G06-#-10	(3500)	200 ( 53 )	M16x50Lx4(5/8x2")

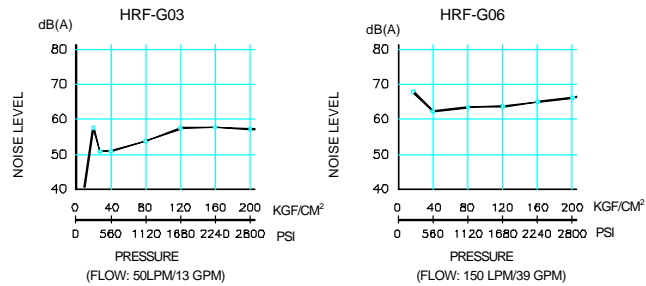
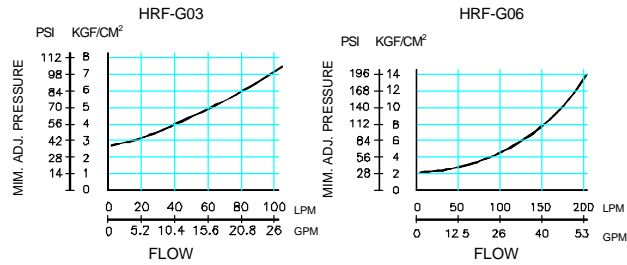
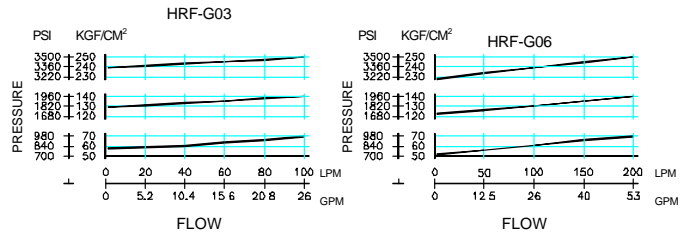
**HOW TO ORDER**





**PERFORMANCE CURVES**

TEST CONDITIONS  
VISCOSITY: 35 cSt  
TEMPERATURE: 50°C





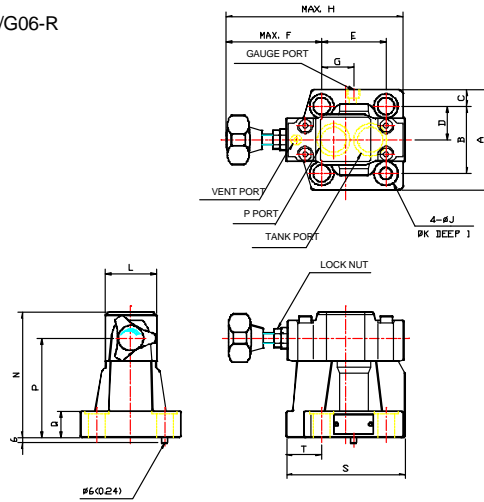
**PRESSURE CONTROLS**

LOW NOISE TYPE PILOT OPERATED RELIEF VALVE

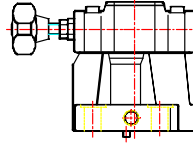
**INSTALLATION DIMENSIONS**

UNIT mm(inch)

HRF-G03/G06-R



HRF-G03/G06-L



MODEL	A	B	C	D	E	F	G	H	J
HRF-G03	76(3)	53.8(2.12)	11.1(0.44)	26.9(1.06)	53.8(2.11)	113.5(4.47)	27(1.06)	171(6.73)	13.5(0.53)
HRF-G06	104(4.09)	70(2.76)	17(0.67)	35(1.38)	66.7(2.63)	98.8(3.89)	33.7(1.33)	171(6.73)	17.5(0.69)

MODEL	K	L	N	P	Q	S	T	SUBPLATE TYPE
HRF-G03	21(0.83)	51(2.01)	132(5.2)	104(4.09)	22(0.86)	106(4.17)	26(1.02)	MF-04
HRF-G06	25(0.99)	51(2.01)	132(5.2)	104(4.09)	27(1.06)	123(4.84)	36.5(1.44)	MF-06

ABINA S.L

Pol Ind Les Comes C/Alemania, 43 Nave 1  
08700 Igualada (Barcelona)  
Telf 93 805 24 34 Fax 93 805 25 44  
[www.abina.com](http://www.abina.com)  
email: [info@abina.com](mailto:info@abina.com)



**PRESSURE CONTROLS**  
SOLENOID CONTROLLED PILOT OPERATED RELIEF VALVE



**FEATURES**

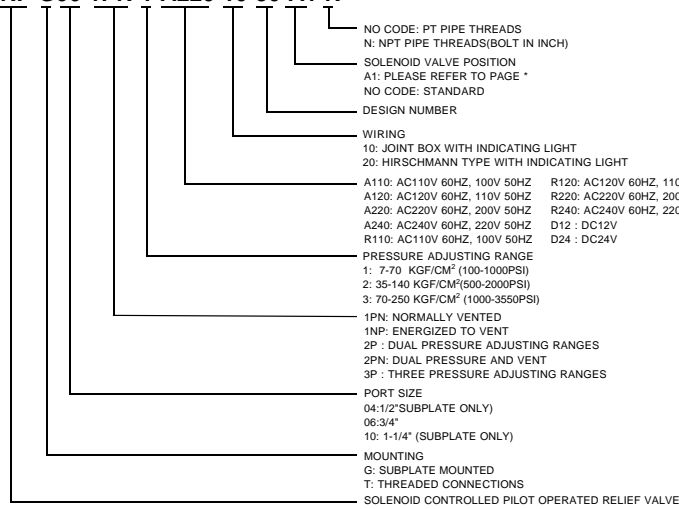
- The series of SRF-T/G valves are the combination of solenoid operated directional control valve and RF-G relief valve in one integrated body to provide a wide variety of pressure control possibilities. Solenoid control permits convenient electrical selection of system pressures. Selection for pressure or vent, either of two pressures, or two pressures and vent, or one of three pressures can be achieved by proper selection of the valves listed below.

**SPECIFICATIONS**

MODEL	MAX. PRESSURE KG/CM <sup>2</sup> (PSI)	RATED FLOW LPM(GPM)	PRESSURE ADJ. RANGE KG/CM <sup>2</sup> (PSI)
SRF-G04	250 (3500)	100(26.4)	1: 7-70(100-1000)
SRF-G/T06		200(52.8)	2: 35-140(500-2000)
SRF-G10		400(105.6)	3: 70-250(1000-3550)

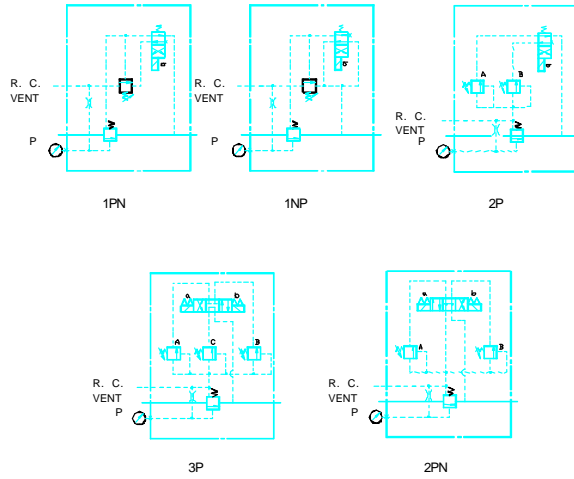
**HOW TO ORDER**

**SRF-G06-1PN-1-A220-10-30-A1-N**





**SYMBOLS & FUNCTION TABLES**



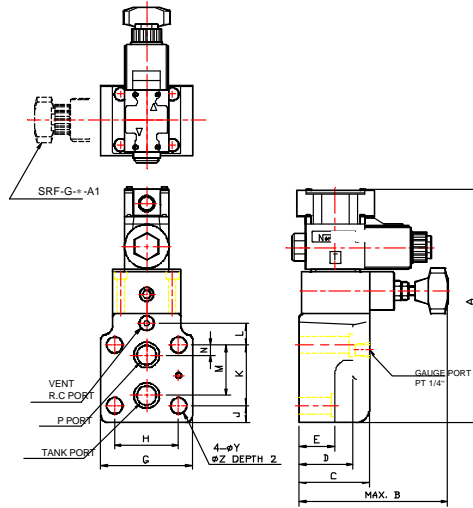
MODEL	INPUT		OUTPUT
	SOL b	SOL a	
1PN	OFF	NONE	VENTED
	ON		ADJUSTABLE PRESSURE
1NP		OFF	ADJUSTABLE PRESSURE
		ON	VENTED
2P	OFF	NONE	ADJUSTABLE PRESSURE AT A
	ON		ADJUSTABLE PRESSURE AT B
2PN	OFF	OFF	VENTED
	ON	OFF	ADJUSTABLE PRESSURE AT A
	OFF	ON	ADJUSTABLE PRESSURE AT B
3P	OFF	OFF	ADJUSTABLE PRESSURE AT C
	ON	OFF	ADJUSTABLE PRESSURE AT A
	OFF	ON	ADJUSTABLE PRESSURE AT B



**INSTALLATION DIMENSIONS**

UNIT mm(inch)

SRF-G\*-1PN/1NP



MODEL	A	B	C	D	E	G	H	J	K
<b>SRF-G04</b>	228.5	175	78	78	57	82	53.8	21.5	53.8
<b>SERIES</b>	(9.00)	(6.89)	(3.07)	(3.07)	(0.67)	(3.23)	(2.12)	(0.89)	(2.12)
<b>SRF-G06</b>	254	175	78	60	40	102	70	19	66.7
<b>SERIES</b>	(9.61)	(6.85)	(3.07)	(2.36)	(0.67)	(4.09)	(2.76)	(0.67)	(2.63)
<b>SRF-G10</b>	281	184	87.5	67	47	124	82.6	20	88.9
<b>SERIES</b>	(11.06)	(7.24)	(3.45)	(2.64)	(0.71)	(4.88)	(3.25)	(0.71)	(3.5)

MODEL	L	M	N	Y	Z	WEIGHT	SUBPLATE TYPE
<b>SRF-G04</b>	0	47.5	22	13.5	21	7.5 KGS	MF-04
<b>SERIES</b>	(0)	(2.13)	(0.87)	(0.53)	(0.83)	(16.5 LBS)	
<b>SRF-G06</b>	23.8	55.5	11	17.5	26	8.0 KGS	MF-06
<b>SERIES</b>	(0.94)	(2.19)	(0.43)	(0.69)	(1.02)	(17.6 LBS)	
<b>SRF-G10</b>	31.8	76.2	12.7	22	32	25 KGS	MF-10
<b>SERIES</b>	(1.25)	(3.00)	(0.50)	(0.85)	(1.26)	(55.1 LBS)	



# ABINA S.L

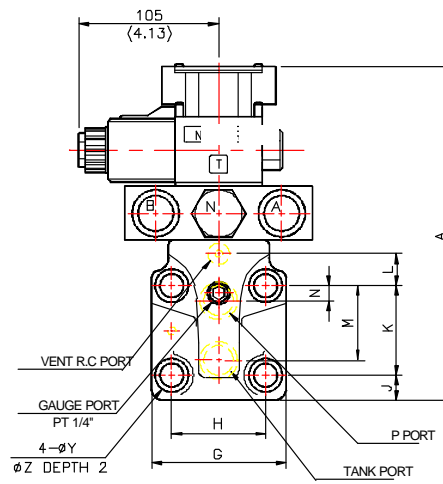


**PRESSURE CONTROLS**  
SOLENOID CONTROLLED PILOT OPERATED RELIEF VALVE

## INSTALLATION DIMENSIONS

UNIT mm(inch)

SRF-G06/G10-2P



MODEL	A	G	H	J	K	L	M	N	Y	Z	WEIGHT	SUBPLATE TYPE
<b>SRF-G06</b>	244	104	70	16.9	66.7	23.8	55.5	11	17.5	26	10 KGS	MF-06
<b>SERIES</b>	(9.61)	(4.09)	(2.76)	(0.67)	(2.63)	(0.94)	(2.19)	(0.43)	(0.69)	(1.02)	(22.0LBS)	
<b>SRF-G10</b>	281	124	82.6	18	88.9	31.8	76.2	12.7	21.5	32	27 KGS	MF-10
<b>SERIES</b>	(11.06)	(4.88)	(3.25)	(0.71)	(3.5)	(1.25)	(3.00)	(0.50)	(0.85)	(1.26)	(59.5LBS)	



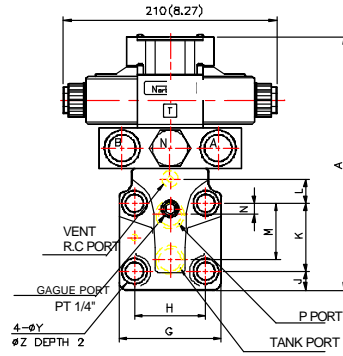
**PRESSURE CONTROLS**

SOLENOID CONTROLLED PILOT OPERATED RELIEF VALVE

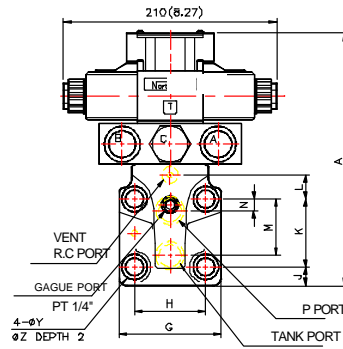
**INSTALLATION DIMENSIONS**

UNIT mm(inch)

SRF-G06/G10-2PN



SRF-G06/G10-3P



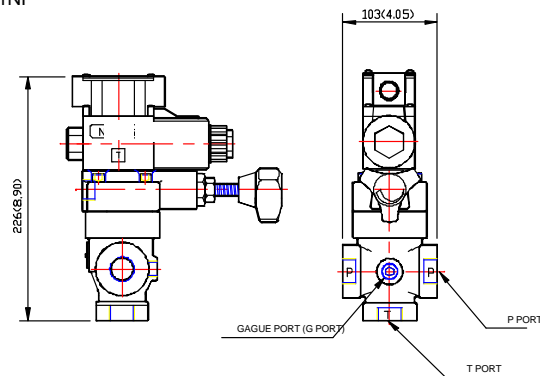
MODEL	A	G	H	J	K	L	M	N	Y	Z	WEIGHT	SUBPLATE TYPE
SRF-G06 SERIES	244 (9.61)	104 (4.09)	70 (2.76)	16.9 (0.67)	66.7 (2.63)	23.8 (0.94)	55.5 (2.19)	11 (0.43)	17.5 (0.69)	26 (1.02)	12 KGS (26.4LBS)	MF-06
SRF-G10 SERIES	281 (11.06)	124 (4.88)	82.6 (3.25)	18 (0.71)	88.9 (3.5)	31.8 (1.25)	76.2 (3.00)	12.7 (0.50)	21.5 (0.85)	32 (1.26)	29 KGS (63.9LBS)	MF-10



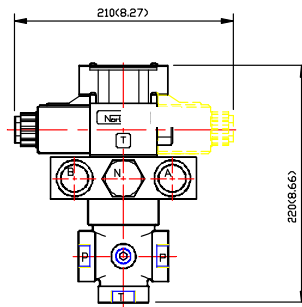
**INSTALLATION DIMENSIONS**

UNIT mm(inch)

SRF-T06-1PN/1NP



SRF-T06-2P/2PN/3P

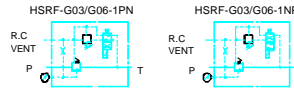




**PRESSURE CONTROLS**  
H & HC TYPE PRESSURE CONTROL VALVE



**SYMBOL**

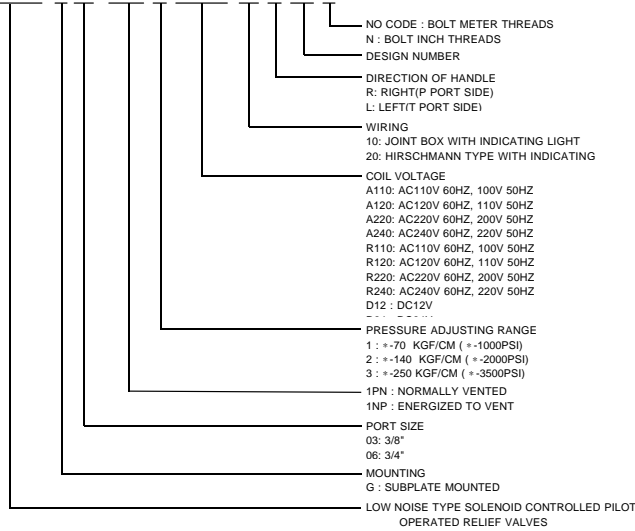


**SPECIFICATIONS**

MODEL	MAX. PRESSURE KGF/CM <sup>2</sup> (PSI)	MAX. FLOW LPM (GPM)	BOLT METER (INCH)
HSRF-G03-*10	250	100 (25)	M12x40Lx4 (1/2x1 3/5")
HSRF-G06-*10	(3500)	200 (53)	M16x50Lx4 (5/8x2")

**HOW TO ORDER**

**HSRF-G06-1PN-3-A220-10-L-10-N**

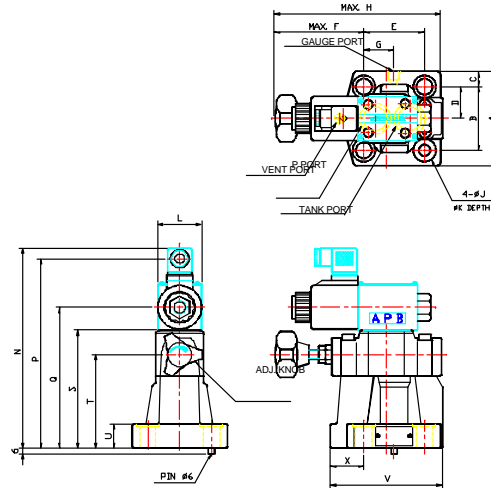




**INSTALLATION DIMENSIONS**

UNIT mm(inch)

HSRF-G03/06-1PN/1NP-R



MODEL	A	B	C	D	E	F	G	H	J
HSRF-03	76(3)	53.8(2.12)	11.1(0.44)	26.9(1.06)	53.8(2.11)	113.5(4.47)	27(1.06)	171(6.73)	13.5(0.53)
HSRF-06	104(4.09)	70(2.76)	17(0.67)	35(1.38)	66.7(2.63)	98.8(3.89)	33.7(1.33)	171(6.73)	17.5(0.69)

MODEL	K	L	N	P	Q	S	T	U	V
HSRF-03	21(0.83)	48(1.89)	220.5(8.7)	206.8(8.1)	157(6.18)	132(5.2)	104(4.09)	22(0.86)	106(4.17)
HSRF-06	25(0.98)	48(1.89)	220.5(8.7)	206.8(8.1)	157(6.18)	132(5.2)	104(4.09)	27(1.06)	123(4.84)

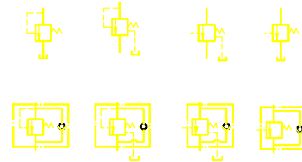
MODEL	X	SUBPLATE TYPE
HSRF-G03	26(1.02)	MF-04
HSRF-G06	36.5(1.44)	MF-06



**PRESSURE CONTROLS**  
H & HC TYPE PRESSURE CONTROL VALVE



**SYMBOLS**

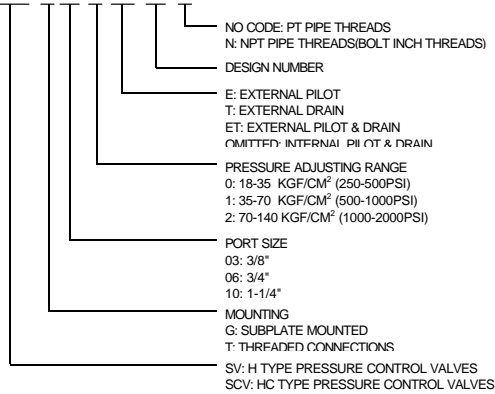


**SPECIFICATIONS**

MODEL	MAX. OPERATED PRESSURE KGF/CM <sup>2</sup> (PSI)	PRESSURE ADJ. RANGE KGF/CM <sup>2</sup> (PSI)	MAX. FLOW LPM(GPM)
SV/SCV-03	210 (3000)	0: 18-35(250-500)	50(13)
SV/SCV-06		1: 35-70(500-1000)	125(33)
SV/SCV-10		2: 70-140(1000-2000)	250(66)

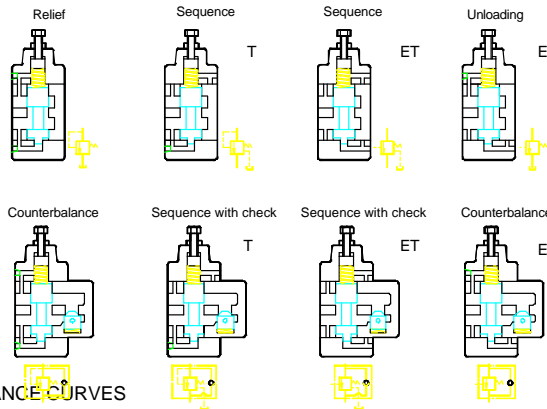
**HOW TO ORDER**

**SCV-G06-0-ET-20-N**

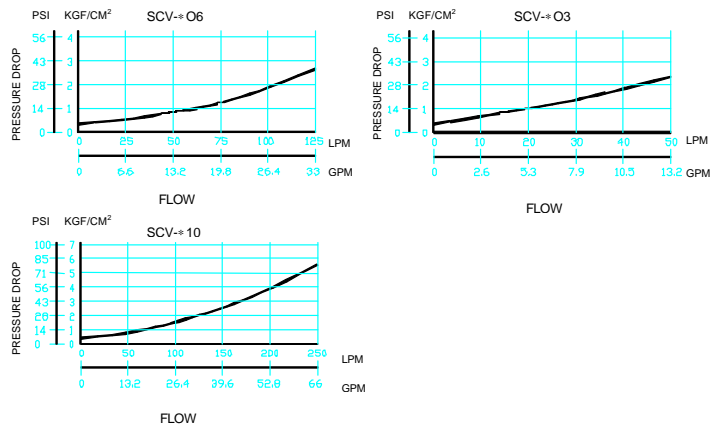




VALVE TYPE



PERFORMANCE CURVES  
PRESSURE DROP FOR REVERSED FREE FLOW



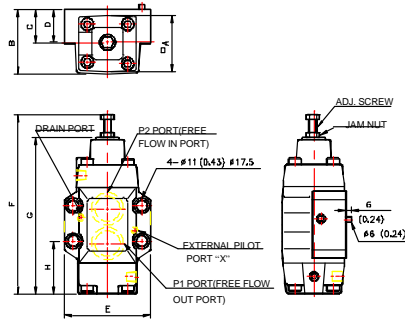


**PRESSURE CONTROLS**  
H & HC TYPE PRESSURE CONTROL VALVE

**INSTALLATION DIMENSIONS**

UNIT mm(inch)

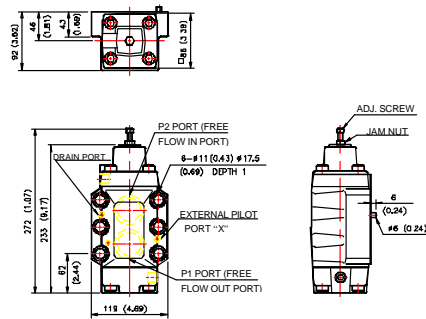
SV-G03/06



MODEL	A	B	C	D	E	F	G	H	BOLT	WEIGHT	
										KGS	LBS
SV-G03	60 (2.36)	67 (2.64)	41.7 (1.64)	39 (1.54)	89 (3.50)	195 (7.68)	170.3 (6.70)	52.3 (2.06)	M10x50x4PCS (3/8x2")	4.0	8.8
SV-G06	73 (2.87)	81 (3.19)	41.5 (1.63)	39 (1.54)	102 (4.02)	219 (8.62)	192 (7.56)	51 (2.01)	M10x50x4PCS (3/8x2")	6.1	13.4

UNIT mm(inch)  
WEIGHT 11kgs(24.25lbs)

SV-G10





# ABINA S.L

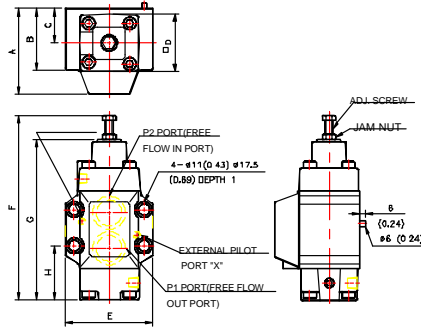


## PRESSURE CONTROLS H & HC TYPE PRESSURE CONTROL VALVE

### INSTALLATION DIMENSIONS

UNIT mm(inch)

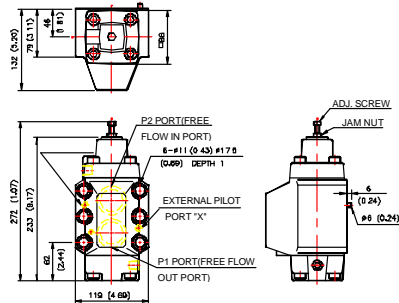
SCV-G03/06



MODEL	A	B	C	D	E	F	G	H	BOLT	WEIGHT	
										KGS	LBS
SCV-G03	87 (3.43)	59 (2.32)	35 (1.38)	60 (2.36)	89 (3.50)	191 (7.52)	170 (6.69)	49.6 (1.95)	M10x70x4PCS (3/8x2 -3/4")	4.8	10.6
SCV-G06	108 (4.25)	69 (2.72)	40 (1.57)	73 (2.87)	102 (4.02)	221 (8.70)	188 (7.40)	51 (2.01)	M10x80x4PCS (3/8x3 -1/4")	7.8	17.2

SCV-G10

UNIT mm(inch)  
WEIGHT 11kgs(24.25lbs)

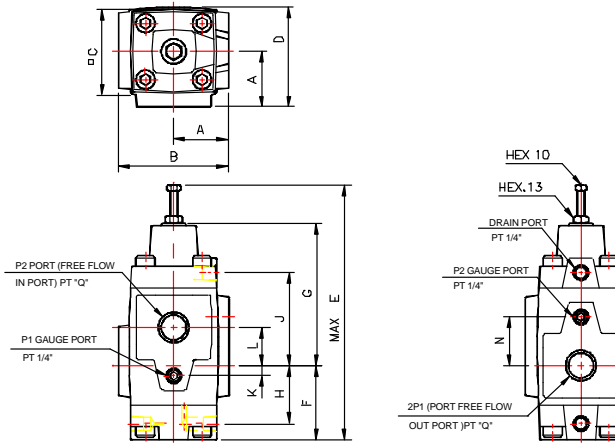




**INSTALLATION DIMENSIONS**

UNIT mm(inch)

SV-T03/06/10



MODEL	A	B	C	D	E	F	G	H
SV-T03	42 (1.65)	84 (3.31)	61 (2.40)	74 (2.91)	195 (7.68)	57 (2.24)	106 (4.17)	43 (1.69)
SV-T06	48 (1.89)	96 (3.78)	73 (2.87)	86 (3.39)	219 (8.62)	64.5 (2.54)	123.5 (4.86)	50.5 (1.99)
SV-T10	68.5 (2.70)	137 (5.39)	84 (3.31)	103 (4.05)	272 (10.71)	84 (3.31)	149 (5.87)	66 (2.60)

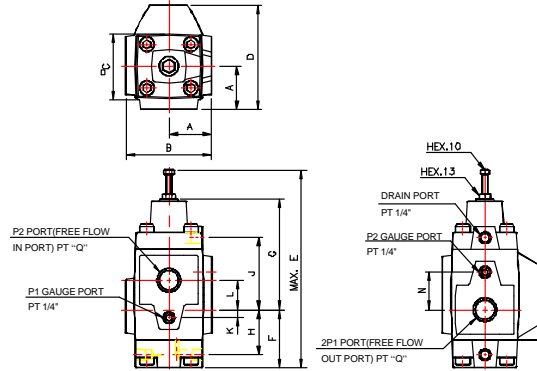
MODEL	J	K	L	N	Q	WEIGHT	
						KGS	LBS
SV-T03	70 (2.76)	0 (0)	28 (1.10)	28 (1.10)	3/8 (1/2)	3.7	8.1
SV-T06	80.5 (3.17)	9 (0.35)	33 (1.30)	42 (1.65)	3/4 (1)	6.2	13.6
SV-T10	98 (3.86)	12 (0.47)	40 (1.57)	52 (2.05)	11/4 (11/2)	120	26.4



**INSTALLATION DIMENSIONS**

UNIT mm(inch)

SCV-T03/06/10



MODEL	A	B	C	D	E	F	G	H
SCV-T03	41 (1.61)	82 (3.23)	63 (2.48)	96 (3.78)	194 (7.64)	59 (2.32)	110 (4.33)	43 (1.69)
SCV-T06	50 (1.97)	100 (3.94)	76 (2.99)	118 (4.65)	223.5 (8.80)	64.5 (2.54)	123.5 (4.86)	50.5 (1.99)
SCV-T10	68.5 (2.70)	137 (5.39)	84 (3.31)	156 (6.14)	269 (10.59)	84 (3.31)	149 (5.87)	66 (2.60)

MODEL	J	K	L	N	Q	WEIGHT	
						KGS	LBS
SCV-T03	70 (2.76)	0 (0)	28 (1.10)	28 (1.10)	3/8 (1/2)	4.2	4.2
SCV-T06	80.5 (3.17)	9 (0.35)	33 (1.30)	42 (1.65)	3/4 (1)	7.5	16.5
SCV-T10	98 (3.86)	12 (0.47)	40 (1.57)	52 (2.05)	1 1/4 (1 1/2)	13.8	30.4

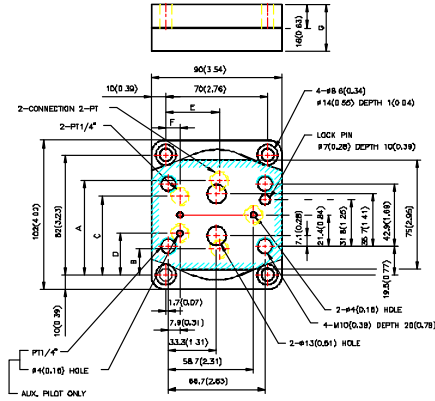
ABINA S.L

Pol Ind Les Comes C/Alemania, 43 Nave 1  
08700 Igualada (Barcelona)  
Telf 93 805 24 34 Fax 93 805 25 44  
[www.abina.com](http://www.abina.com)  
email: [info@abina.com](mailto:info@abina.com)



SUBPLATE

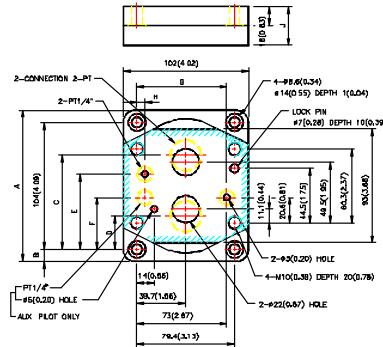
ISO 5781-AG-06-2-A



THIS SUBPLATE IS USED FOR SV/SCV-G03, PCV/PCDV-G03, PRV/PRCV-G03, V/TCV-G03, CV-G03

SUBPLATE	PORT PT	A	B	C	D	E	F	G
SVM-03-03	3/8	61	21	40.9	-	35	9.6	32
SVM-03-04	1/2	61	21	40.9	-	35	9.6	32

ISO 5781-AH-08-2-A



THIS SUBPLATE IS USED FOR SV/SCV-G06, PCV/PCDV-G06, PRV/PRCV-G06, TV/TCV-G06, CV-G06

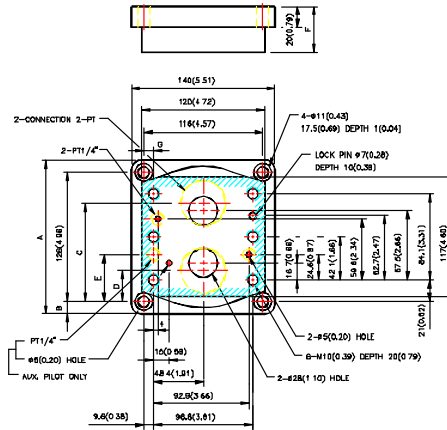
SUBPLATE	PORT PT	A	B	C	D	E	F	G	H	J
SVM-06-06	3/4	124	10	77	27	61.7	-	73	6.4	36
SVM-06-08	1	136	16	82.3	22	61.7	-	73	6.4	45



SUBPLATE

ISO 5781-AJ-10-2-A

UNIT mm(inch)

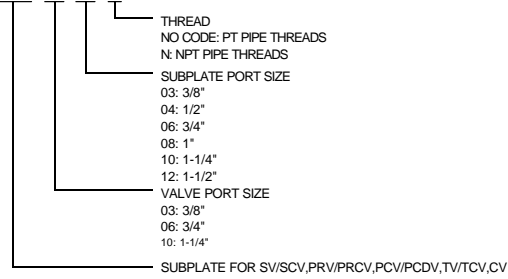


THIS SUBPLATE IS USED FOR SV/SCV-G10, PCV/PCDV-G10, PRV/PRCV-G10, TV/TCV-G10, CV-G10

SUBPLATE	PORT PT	A	B	C	D	E	F	G
SVM-10-10	1 1/4	150	12	96	30	-	45	13.6
SVM-10-12	1 1/2	177	25.5	104	22	-	50	13.6

**HOW TO ORDER**

**SVM-03-03-N**



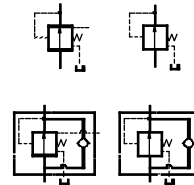
ABINA S.L

Pol Ind Les Comes C/Alemania, 43 Nave 1  
08700 Igualada (Barcelona)  
Telf 93 805 24 34 Fax 93 805 25 44  
[www.abina.com](http://www.abina.com)  
email: [info@abina.com](mailto:info@abina.com)

# ABINA S.L



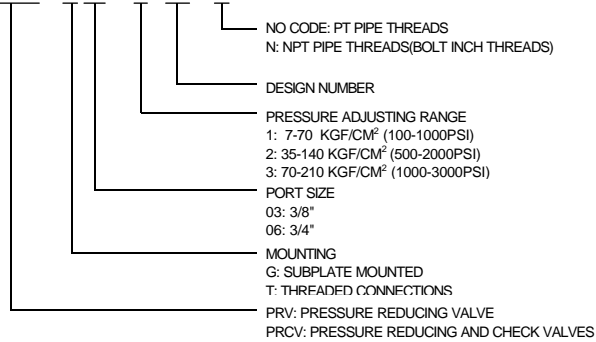
## SYMBOL



## SPECIFICATIONS

MODEL	MAX. PRESSURE KGF/CM <sup>2</sup> (PSI)	PRESSURE ADJUSTING RANGE KGF/CM <sup>2</sup> (PSI)	MAX. FLOW LPM(GPM)	MOUNTED BOLT METER(INCH)
PRV- <b>03</b> PRCV- <b>03</b>	210(3000)	1:7-70(100-1000)	50(13.2)	M10x70(3/8"-2 3/4") 4PCS
PRV- <b>06</b> PRCV- <b>06</b>		2:35-140(500-2000)	125(33)	M10x80(3/8"-3 1/4") 4PCS
PRV- <b>10</b> PRCV- <b>10</b>		3:70-210(1000-1000)	250(66)	M10x90(3/8"-3 1/2") 6PCS

## PRCV - G03 - 1 - 10 - N

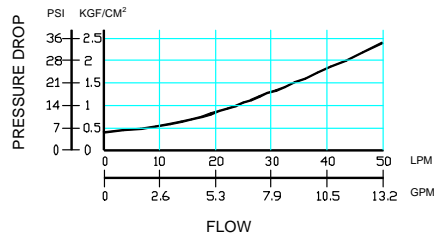




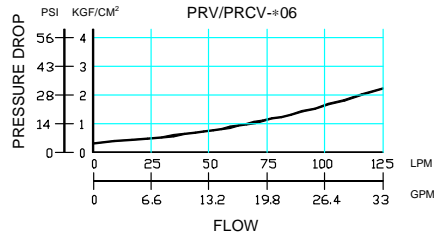


PRESSURE DROP FOR REVERSED FREE FLOW

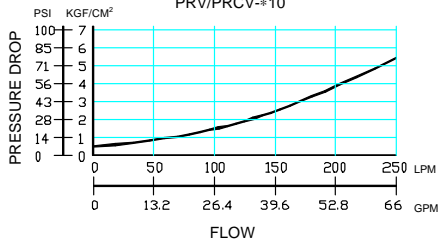
PRV/PRCV-#03



PRV/PRCV-#06



PRV/PRCV-#10



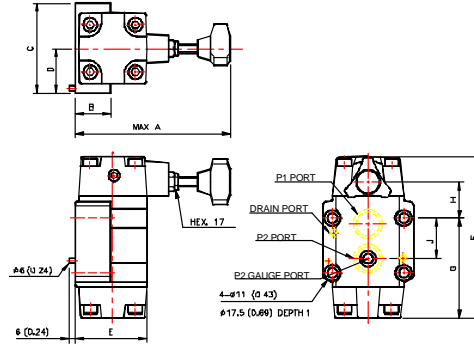


**PRESSURE CONTROLS**  
PRESSURE REDUCING VALVE

**INSTALLATION DIMENSIONS**

PRV-G03/06

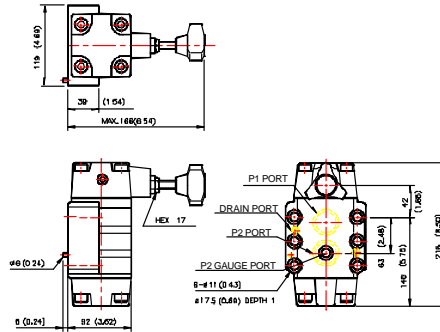
UNIT mm(inch)



MODEL	A	B	C	D	E	F	G	H	J	WEIGHT	
										KGS	LBS
PRV-03	164 (6.46)	42 (1.65)	89 (3.23)	44.5 (1.75)	67 (2.64)	155.5 (6.12)	92.4 (3.64)	40.6 (1.60)	35 (1.38)	4.5	10.1
PRV-G06	165.8 (6.53)	42 (1.65)	100 (3.94)	50 (1.97)	74 (2.91)	182 (7.17)	111 (4.37)	40 (1.57)	48 (1.89)	6.8	15.2

PRV-G10

WEIGHT 11kgs(24.25lbs)



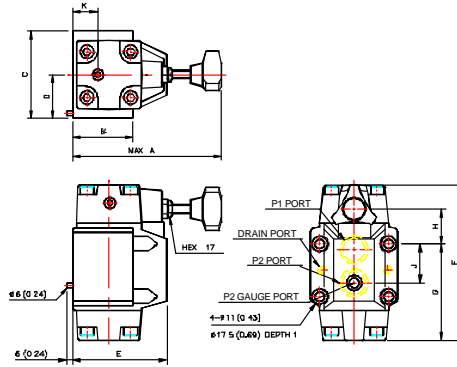


**PRESSURE CONTROLS**  
PRESSURE REDUCING VALVE

**INSTALLATION DIMENSIONS**

UNIT mm(inch)

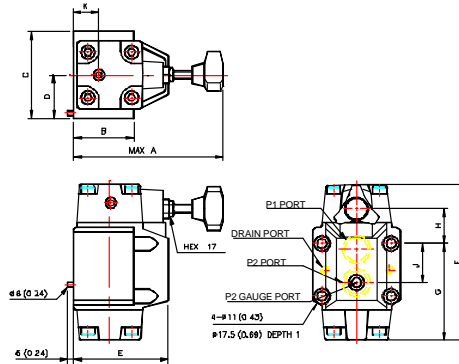
PRCV-G03/06



MODEL	A	B	C	D	E	F	G	H	J	K	WEIGHT	
											KGS	LBS
PRCV-G03	164 (6.46)	61 (2.40)	90 (3.54)	45 (1.77)	88 (3.46)	155 (6.10)	92.4 (3.64)	45 (1.77)	34.9 (1.37)	25 (0.98)	5.2	11.45
PRCV-G06	164 (6.46)	70.5 (2.78)	104 (4.09)	52 (2.05)	109 (4.29)	182 (7.17)	111 (4.37)	40 (1.57)	48 (1.89)	0	8.3	18.28

PRCV-G10

WEIGHT 18.5kgs(40.78lbs)



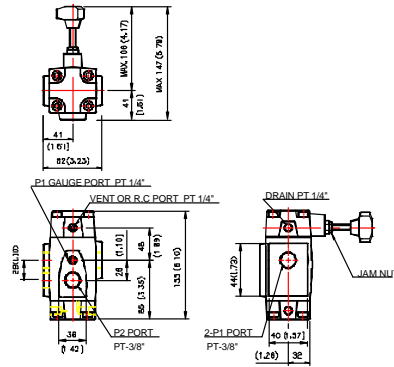


**PRESSURE CONTROLS**  
PRESSURE REDUCING VALVE

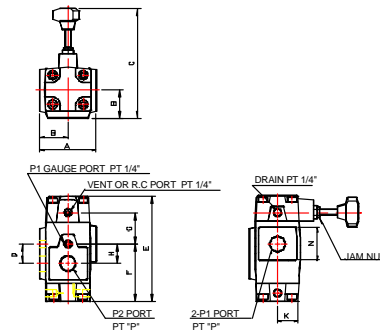
**INSTALLATION DIMENSIONS**

UNIT mm(inch)  
WEIGHT 4.3kgs(9.48lbs)

PRV-T03



PRV-T06/10



MODEL	A	B	C	D	E	F	G	H	K	N	P	WEIGHT	
												KGS	LBS
PRV-T06	94.8 (3.73)	47.4 (1.87)	150 (5.90)	42 (1.65)	179 (7.06)	97 (3.83)	53.5 (2.11)	33 (1.30)	39 (1.54)	62 (2.44)	3/4	6.0	13.2
PRV-T10	132 (5.20)	66 (2.60)	167 (6.57)	52 (2.05)	216 (8.50)	124 (4.88)	64 (2.52)	40 (1.57)	50 (1.97)	79 (3.11)	11/4	12.0	26.45

# ABINA S.L

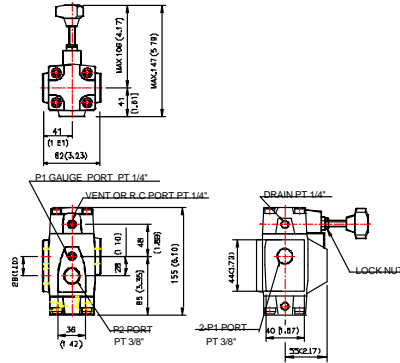


**PRESSURE CONTROLS**  
PRESSURE REDUCING VALVE

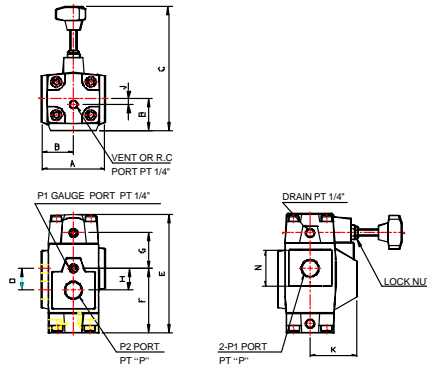
## INSTALLATION DIMENSIONS

UNIT mm(inch)  
WEIGHT 4.8kgs(10.5lbs)

PRCV-\*T03



PRCV-\*T06 / 10



MODEL	A	B	C	D	E	F	G	H	J	K	N	P	WEIGHT	
													KGS	LBS
PRCV-*T06	94	48	150	42	179	97.5	44.5	42	9	66	62	3/4	7.8	17.1
	(3.70)	(1.89)	(5.90)	(1.65)	(7.06)	(3.84)	(1.75)	(1.66)	(0.35)	(2.60)	(2.44)			
PRCV-*T10	137	68.5	167	52	216	124	52	52	12	84	79	11/4	14.4	31.7
	(5.40)	(2.70)	(6.57)	(2.05)	(8.50)	(4.88)	(2.04)	(2.04)	(0.47)	(3.31)	(3.11)			

ABINA S.L

Pol Ind Les Comes C/Alemania, 43 Nave 1  
08700 Igualada (Barcelona)  
Telf 93 805 24 34 Fax 93 805 25 44  
[www.abina.com](http://www.abina.com)  
email: [info@abina.com](mailto:info@abina.com)



**FLOW CONTROLS**  
RESTRICTORS



**SYMBOLS**

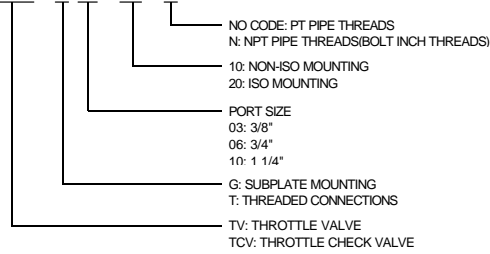


**SPECIFICATION**

MODEL NUMBERS		MAX. OPERATED PRESSURE KGF/CM <sup>2</sup> (PSI)	RATED FLOW LPM (GPM)	WEIGHT	
THREAD TYPE	SUBPLATE TYPE			KGS (LBS)	
TV-T03	TV-G03	210 (3000)	30 (8)	1.4(3.1)	1.5(3.1)
TCV-T03	TCV-G03			1.5(3.1)	2.1(4.6)
TV-T06	TV-G06		80 (20)	2.6(5.7)	2.7(6.0)
TCV-T06	TCV-G06			3.5(7.7)	4.0(8.8)
TV-T10	TV-G10		200 (50)	6.1(13.5)	5.2(11.5)
TCV-T10	TCV-G10				

**HOW TO ORDER**

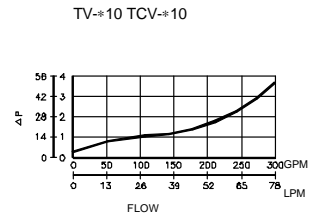
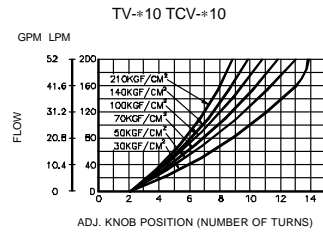
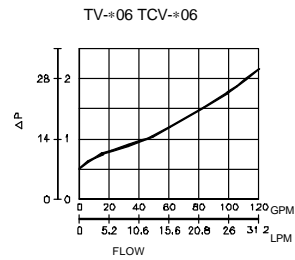
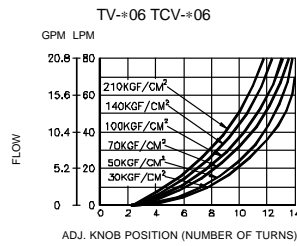
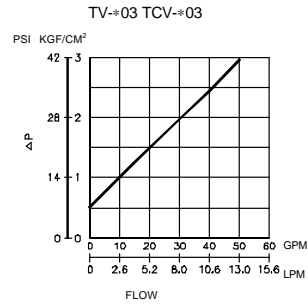
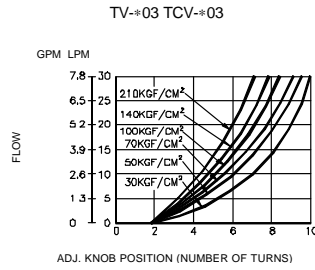
**TCV - G03 - 10 - N**





**PERFORMANCE CURVES**

METERED FLOW vs. ADJUSTMENT REVOLUTIONS PRESSURE DROP



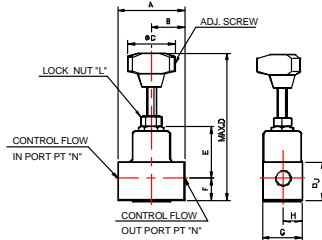




**INSTALLATION DIMENSIONS**

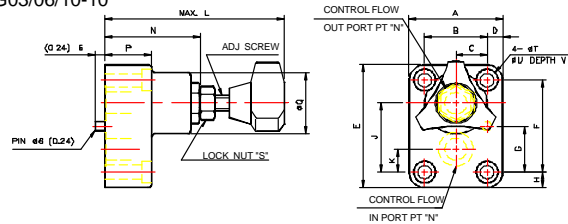
UNIT mm(inch)

TV-T03/06/10-10



MODEL	A	B	C	D	E	F	G	H	J	L	N
TV-T03	70 (2.76)	35 (1.38)	40 (1.57)	143 (5.63)	54 (2.13)	23 (0.91)	42 (1.65)	20 (0.79)	40 (1.57)	19 (0.75)	3/8
TV-T06	100 (3.94)	50 (1.97)	40 (1.57)	136.5 (5.37)	62 (2.44)	30 (1.18)	62 (2.44)	30 (1.18)	60 (2.36)	19 (0.75)	3/4
TV-T10	130 (5.12)	65 (2.56)	56 (2.20)	173 (6.81)	73 (2.87)	40 (1.57)	82 (3.23)	40 (1.57)	80 (3.15)	22 (0.87)	1 1/4

TV-G03/06/10-10



MODEL	A	B	C	D	E	F	G	H	J
TV-G03	60 (2.36)	40 (1.57)	20 (0.79)	10 (0.39)	80 (3.14)	60 (2.36)	30 (1.18)	10 (0.39)	45 (1.77)
TV-G06	80 (3.15)	58 (2.28)	29 (1.14)	11 (0.43)	92 (3.62)	70 (2.76)	35 (1.38)	11 (0.43)	54 (2.13)
TV-G10	100 (3.94)	72 (2.83)	36 (1.42)	14 (0.55)	120 (4.72)	92 (3.62)	46 (1.81)	14 (0.55)	71 (2.80)

MODEL	K	L	N	P	Q	S	T	U	V
TV-G03	15 (0.59)	100 (3.94)	65 (2.56)	30 (1.18)	44 (1.73)	19 (0.75)	9 (0.35)	14 (0.55)	8.6 (0.34)
TV-G06	16 (0.63)	117.5 (4.63)	73 (2.87)	42 (1.65)	41.5 (1.63)	23 (0.90)	11 (0.43)	17.5 (0.69)	10.8 (0.43)
TV-G10	21	145	100	55	56	23	13.5	21	1.0



**FLOW CONTROLS**  
RESTRICTORS

	(0.83)	(5.71)	(3.94)	(2.17)	(2.20)	(0.90)	(0.53)	(0.83)	(0.04)
--	--------	--------	--------	--------	--------	--------	--------	--------	--------